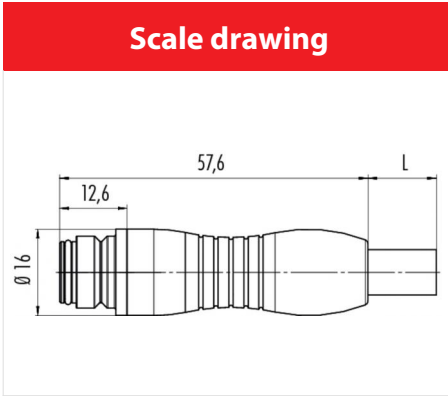


Product	Contacts: 8, female cable connector, black, injection-moulded cable, cable length 2 m
Area	Snap-in IP67 Series 720
Article number	79 9170 020 08



Contact Arrangement

	X	Y
1	1,35	-2,79
2	-1,35	-2,79
3	-3,02	-0,69
4	-2,43	1,93
5	0,00	3,10
6	2,43	1,93
7	3,02	-0,69
8	0,00	0,00

- 1 white
- 2 brown
- 3 green
- 4 yellow
- 5 grey
- 6 pink
- 7 blue
- 8 red

You can find the item description on the next page.

Technical data

General features

Connector Design	female cable connector
Connector locking system	snap
Termination	moulded on cable
Wire gauge (mm)	0,25 mm ²
Wire gauge (AWG)	24
Cable outlet	2,5 - 4,0 mm
Upper temperature	70 °C
Lower temperature	-25 °C

Cable data

material housing	PUR
Insulation single lead	PVC
Single lead structure	32 x 0,1
Conductor resistance	72Ω/Km (20°C)
Temperature range cable movable °C from	-5
Temperature range cable movable °C to	70
Temperature range cable fixed °C from	-25
Temperature range cable fixed °C to	70
Bending radius cable fixed	min. 5 x D
Bending radius cable movable	min. 12 x D

Electrical parameters

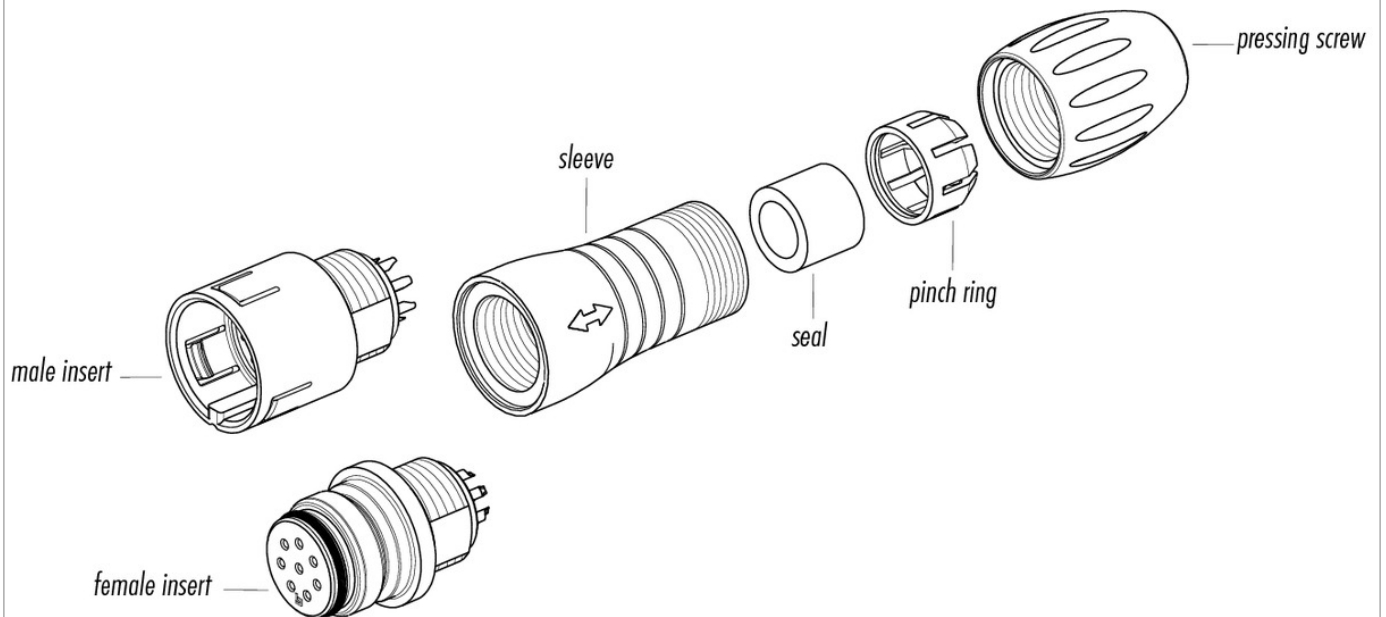
Rated current (40°C)	2 A
Rated voltage	125 V
Rated impulse voltage	1500 V
Pollution degree	2
Overvoltage category	II
Material group	II
Volume resistivity	≤ 3 mΩ
Insulation resistance	≥ 10 ¹⁰ Ω
EMV compliance	not shielded
Degree of protection	IP67
Mechanical operation	> 500 Mating cycles

Material

Material of contact	CuSn (bronze)
Contact plating	Au (gold)
Material of contact body	PA (UL 94 V-0)
Material of housing	PUR

Product **Contacts: 8, female cable connector, black, injection-moulded cable, cable length 2 m**
Area **Snap-in IP67 Series 720**
Article number **79 9170 020 08**

Item description



Product	Contacts: 8, female cable connector, black, injection-moulded cable, cable length 2 m
Area	Snap-in IP67 Series 720
Article number	79 9170 020 08

Security notices

The connector must not be connected or separated under load. Non-observance and incorrect use can result in personal injury.

The connectors are designed for use in plant, control system and electrical equipment. The end user is responsible for checking whether the connectors are suitable for use in other applications.

To prevent the connector being opened unintentionally when used in electrical circuits containing hazardous life parts, the thread between the housing and the connector head must be secured using a suitable cyanoacrylate adhesive. This does not apply to connectors used in SELV and PELV circuits according to IEC 61140 (EN 61140, VDE 0140-1).

Connectors used in electrical circuits containing hazardous life parts must only be assembled and used by or under the supervision of persons with the requisite electrotechnical training, taking the applicable regulations and standards into account.

Connectors with degree of protection IP 67 and IP 68 are not suitable for use under water. When used outdoors, the connectors must be separately protected against corrosion. For further information about IP degrees of protection refer to 'Technical support' in the Download Centre.