
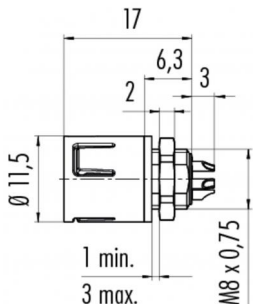
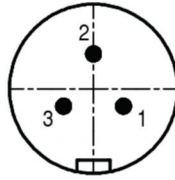


|                |   |
|----------------|---|
| Product        | <b>Contacts: 3, male panel mount connector, red</b> |
| Area           | <b>Snap-in IP67 Series 620</b>                      |
| Article number | <b>99 9207 050 03</b>                               |

| Illustration  | Scale drawing   | Contact Arrangement  |  |   |   |   |      |       |   |      |      |   |       |       |
|---|---|--|--|---|---|---|------|-------|---|------|------|---|-------|-------|
|  |  |  <table border="1" style="margin-left: 20px;"> <thead> <tr> <th></th> <th>X</th> <th>Y</th> </tr> </thead> <tbody> <tr> <td>1</td> <td>1,82</td> <td>-1,05</td> </tr> <tr> <td>2</td> <td>0,00</td> <td>2,10</td> </tr> <tr> <td>3</td> <td>-1,82</td> <td>-1,05</td> </tr> </tbody> </table> |  | X | Y | 1 | 1,82 | -1,05 | 2 | 0,00 | 2,10 | 3 | -1,82 | -1,05 |
|   | X   | Y  |  |   |   |   |      |       |   |      |      |   |       |       |
| 1   | 1,82  | -1,05  |  |   |   |   |      |       |   |      |      |   |       |       |
| 2   | 0,00  | 2,10   |  |   |   |   |      |       |   |      |      |   |       |       |
| 3   | -1,82   | -1,05  |  |   |   |   |      |       |   |      |      |   |       |       |

**You can find the item description and assembly instruction on the next page.**

## Technical data

### General features

|                          |                            |
|--------------------------|----------------------------|
| Connector Design         | male panel mount connector |
| Connector locking system | snap                       |
| Termination              | solder                     |
| Wire gauge (mm)          | 0,25 mm <sup>2</sup>       |
| Wire gauge (AWG)         | 24                         |
| Upper temperature        | 85 °C                      |
| Lower temperature        | -25 °C                     |

### Electrical parameters

|                       |                           |
|-----------------------|---------------------------|
| Rated current (40°C)  | 3 A                       |
| Rated voltage         | 125 V                     |
| Rated impulse voltage | 1500 V                    |
| Pollution degree      | 2                         |
| Overvoltage category  | II                        |
| Material group        | II                        |
| Volume resistivity    | ≤ 3 mΩ                    |
| Insulation resistance | ≥ 10 <sup>10</sup> Ω      |
| EMV compliance        | Shielding is not possible |
| Degree of protection  | IP67                      |
| Mechanical operation  | > 500 Mating cycles       |

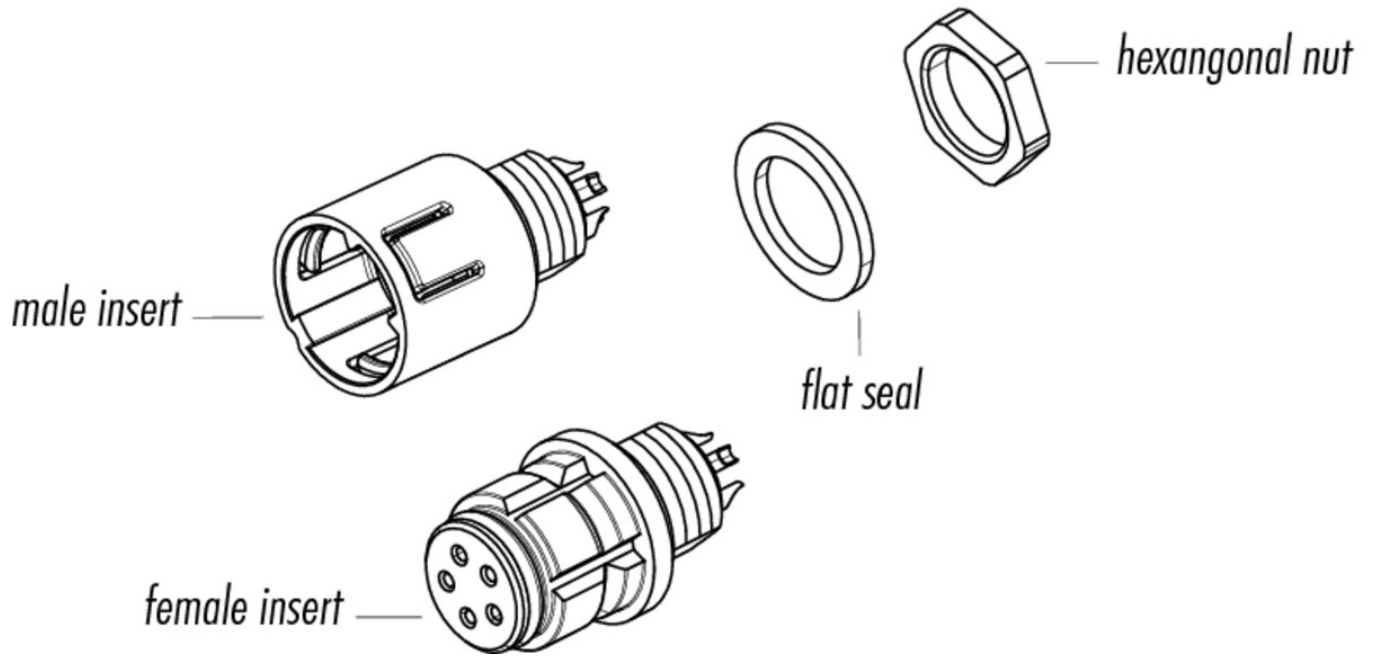
### Material

|                          |                |
|--------------------------|----------------|
| Material of contact      | CuZn (brass)   |
| Contact plating          | Au (gold)      |
| Material of contact body | PA (UL 94 V-0) |
| Material of housing      | PA             |

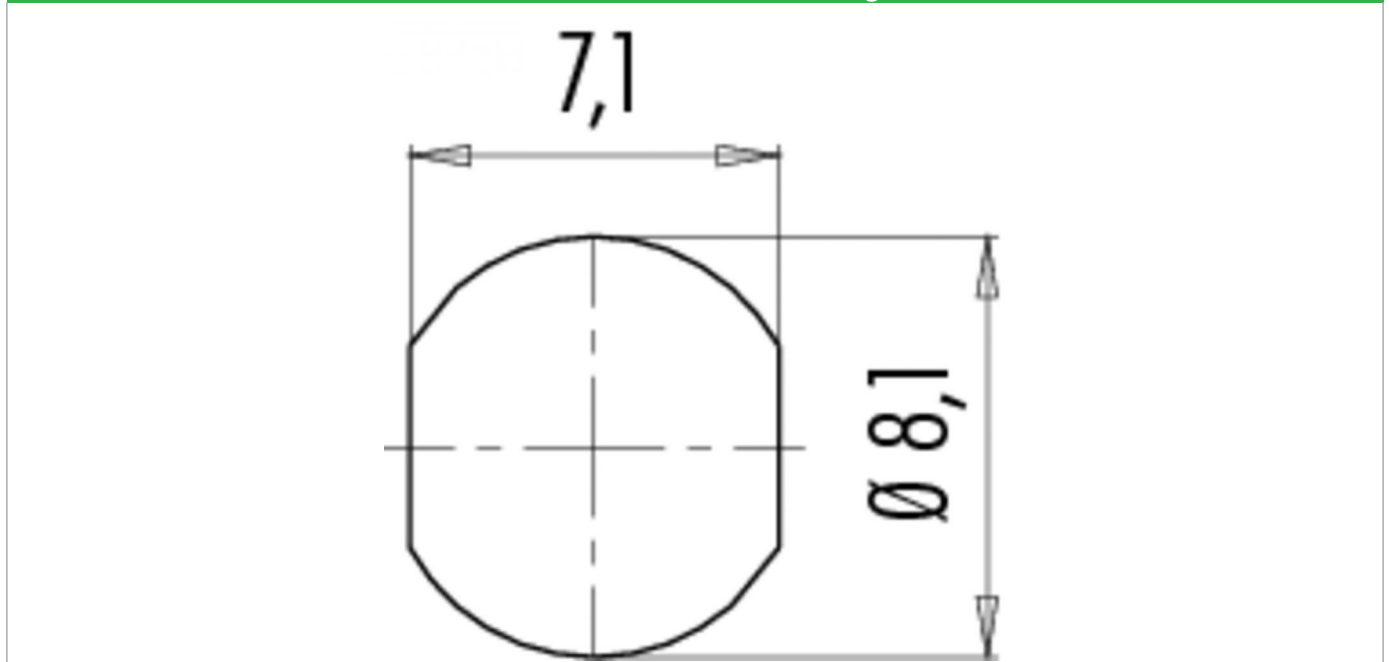
Product **Contacts: 3, male panel mount connector, red**

Area **Snap-in IP67 Series 620**  
Article number **99 9207 050 03**

Item description



Installation instructions / Mounting cutout



Product **Contacts: 3, male panel mount connector, red**

Area **Snap-in IP67 Series 620**  
Article number **99 9207 050 03**

## Security notices

The connector must not be connected or separated under load. Non-observance and incorrect use can result in personal injury.

The connectors are designed for use in plant, control system and electrical equipment. The end user is responsible for checking whether the connectors are suitable for use in other applications.

To prevent the connector being opened unintentionally when used in electrical circuits containing hazardous life parts, the thread between the housing and the connector head must be secured using a suitable cyanoacrylate adhesive. This does not apply to connectors used in SELV and PELV circuits according to IEC 61140 (EN 61140, VDE 0140-1).

Connectors with degree of protection IP 67 and IP 68 are not suitable for use under water. When used outdoors, the connectors must be separately protected against corrosion. For further information about IP degrees of protection refer to 'Technical support' in the Download Centre.