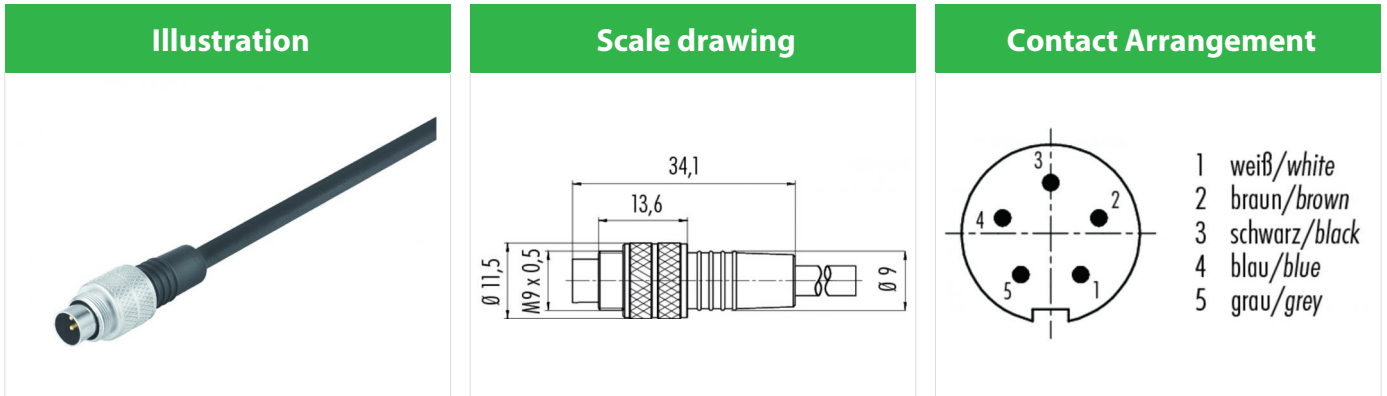


Product **Contacts: 5, cable plug connector overmoulded, unshielded, cable length 2 m**
 Area **M9 IP67 Series 702**
 Article number **79 1455 212 05**



Technical data

General features

Connector Design	cable connector
Connector locking system	bolted
Termination	moulded on cable
Wire gauge (mm)	0,25 mm ²
Wire gauge (AWG)	24
Upper temperature	70 °C
Lower temperature	-25 °C

Cable data

material housing	PUR
Insulation single lead	PVC
Single lead structure	32 x 0,1 mm
Cable diameter	5,0
Conductor resistance	72Ω/Km
Temperature range cable movable °C from	-5
Temperature range cable movable °C to	70
Temperature range cable fixed °C from	-25
Temperature range cable fixed °C to	70
Bending radius cable fixed	Min. 25 mm
Bending radius cable movable	Min. 50 mm

Electrical parameters

Rated current (40°C)	3 A
Rated voltage	125 V
Rated impulse voltage	1500 V
Pollution degree	1
Overvoltage category	II
Material group	III
Volume resistivity	≤ 3 mΩ
Insulation resistance	≥ 10 ¹⁰ Ω
EMV compliance	not shielded
Degree of protection	IP67
Mechanical operation	> 500 Mating cycles

Material

Material of contact	CuZn (brass)
Contact plating	Au (gold)
Material of contact body	PBT (UL 94 V-0)
Material of housing	PUR

Product	Contacts: 5, cable plug connector overmoulded, unshielded, cable length 2 m
Area	M9 IP67 Series 702
Article number	79 1455 212 05

Security notices

The connector must not be connected or separated under load. Non-observance and incorrect use can result in personal injury.

The connectors are designed for use in plant, control system and electrical equipment. The end user is responsible for checking whether the connectors are suitable for use in other applications.

Connectors with degree of protection IP 67 and IP 68 are not suitable for use under water. When used outdoors, the connectors must be separately protected against corrosion. For further information about IP degrees of protection refer to 'Technical support' in the Download Centre.

To lock the cable connector to the equipment connector, the threaded ring is tightened until it is 'finger-tight' (approx. 50 cNm).