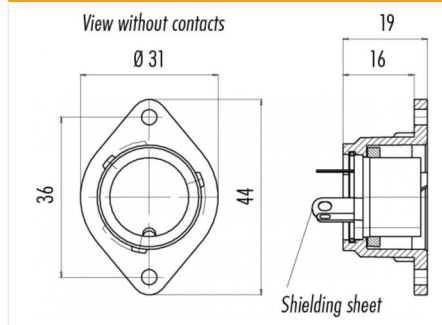


Product **Contacts: 5, female panel mount connector with shielding sheet**
 Area **Bayonet IP40 Power Series 690**
 Article number **09 0062 70 05**

Illustration



Scale drawing



You can find the item description and assembly instruction on the next page.

Technical data

General features

Connector Design	female panel mount connector
Connector locking system	Bayonet
Termination	solder
Wire gauge (mm)	2,50 mm ²
Wire gauge (AWG)	14
Cable outlet	5,0 - 8,0 mm
Upper temperature	85 °C
Lower temperature	-40 °C

Electrical parameters

Rated current (40°C)	10 A
Rated voltage	250 V
Rated impulse voltage	2500 V
Pollution degree	1
Overvoltage category	II
Material group	III
Volume resistivity	≤ 5 mΩ
Insulation resistance	≥ 10 ¹⁰ Ω
EMV compliance	shieldable
Degree of protection	IP40
Mechanical operation	> 50 Mating cycles

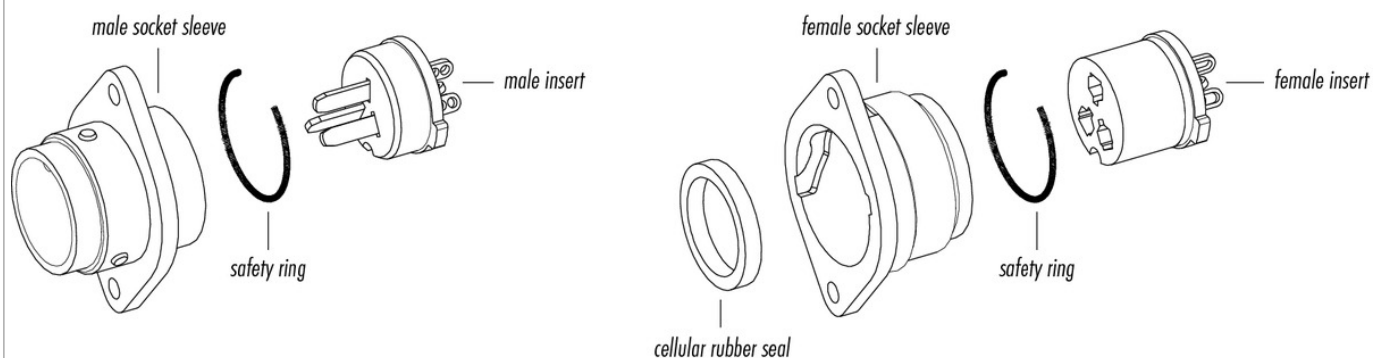
Material

Material of contact	CuSn (bronze)
Contact plating	Ag (silver)
Material of contact body	PBT (UL 94 V-0)
Material of housing	PBT

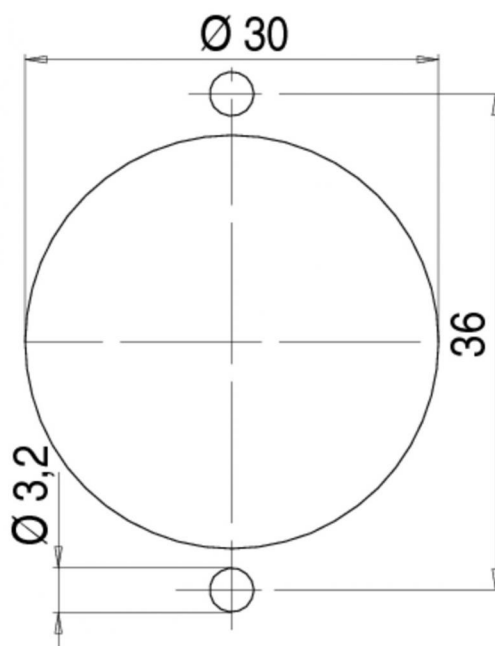
Product **Contacts: 5, female panel mount connector with shielding sheet**

Area **Bayonet IP40 Power Series 690**
Article number **09 0062 70 05**

Item description



Installation instructions / Mounting cutout



Product	Contacts: 5, female panel mount connector with shielding sheet
Area	Bayonet IP40 Power Series 690
Article number	09 0062 70 05

Security notices

The connector must not be connected or separated under load. Non-observance and incorrect use can result in personal injury.

The connectors are designed for use in plant, control system and electrical equipment. The end user is responsible for checking whether the connectors are suitable for use in other applications.