

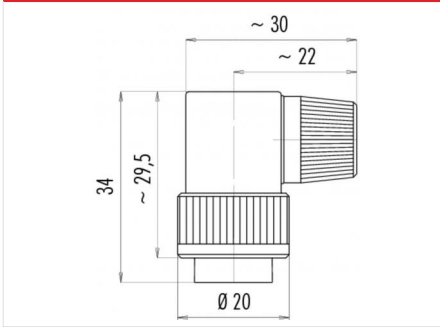
Product **Contacts: 3 DIN, male angled connector, cable outlet 6 - 8 mm**

Area **Bayonet IP40 Series 678**
 Article number **99 0605 72 03**

Illustration



Scale drawing



You can find the item description on the next page.

Technical data

General features

Connector Design	male angled connector
Connector locking system	Bayonet
Termination	solder
Wire gauge (mm)	0,75 mm ²
Wire gauge (AWG)	20
Cable outlet	6,0 - 8,0 mm
Upper temperature	85 °C
Lower temperature	-40 °C

Electrical parameters

Rated current (40°C)	7 A
Rated voltage	250 V
Rated impulse voltage	1500 V
Pollution degree	1
Overvoltage category	I
Material group	III
Volume resistivity	≤ 5 mΩ
Insulation resistance	≥ 10 ¹⁰ Ω
EMV compliance	Shielding is not possible
Degree of protection	IP40
Mechanical operation	> 500 Mating cycles

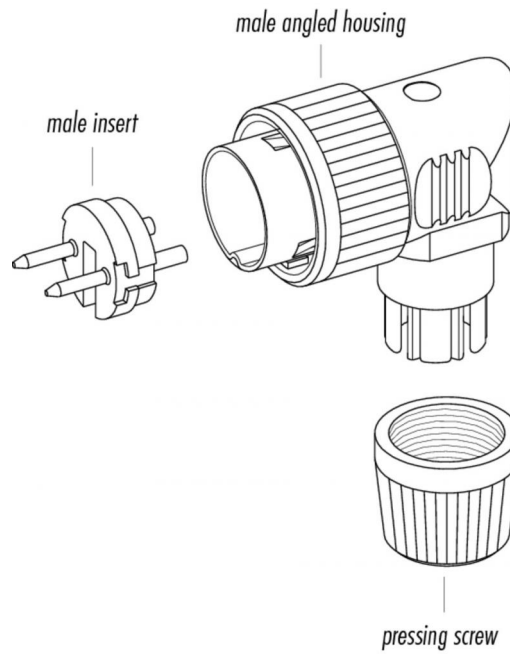
Material

Material of contact	CuZn (brass)
Contact plating	Ag (silver)
Material of contact body	PBT (UL 94 V-0)
Material of housing	PA

Product **Contacts: 3 DIN, male angled connector, cable outlet 6 - 8 mm**

Area **Bayonet IP40 Series 678**
Article number **99 0605 72 03**

Item description



Product	Contacts: 3 DIN, male angled connector, cable outlet 6 - 8 mm
Area	Bayonet IP40 Series 678
Article number	99 0605 72 03

Security notices

The connector must not be connected or separated under load. Non-observance and incorrect use can result in personal injury.

The connectors are designed for use in plant, control system and electrical equipment. The end user is responsible for checking whether the connectors are suitable for use in other applications.

Connectors used in electrical circuits containing hazardous life parts must only be assembled and used by or under the supervision of persons with the requisite electrotechnical training, taking the applicable regulations and standards into account.

The connector is not suitable for mains voltages. Please observe the pollution degrees and the overvoltage category. For further information refer to 'Technical support' in the Download Centre.