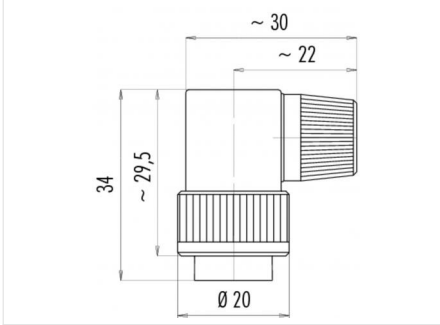


Product **Contacts: 19, male angled connector, cable outlet 6 - 8 mm**  
 Area **Bayonet IP40 Series 678**  
 Article number **99 0665 72 19**

**Illustration**



**Scale drawing**



**You can find the item description on the next page.**

**Technical data**

**General features**

Connector Design	male angled connector
Connector locking system	Bayonet
Termination	solder
Wire gauge (mm)	0,25 mm <sup>2</sup>
Wire gauge (AWG)	24
Cable outlet	6,0 - 8,0 mm
Upper temperature	85 °C
Lower temperature	-40 °C

**Electrical parameters**

Rated current (40°C)	3 A
Rated voltage	60 V
Rated impulse voltage	500 V
Pollution degree	1
Overvoltage category	I
Material group	III
Volume resistivity	≤ 3 mΩ
Insulation resistance	≥ 10 <sup>10</sup> Ω
EMV compliance	Shielding is not possible
Degree of protection	IP40
Mechanical operation	> 500 Mating cycles

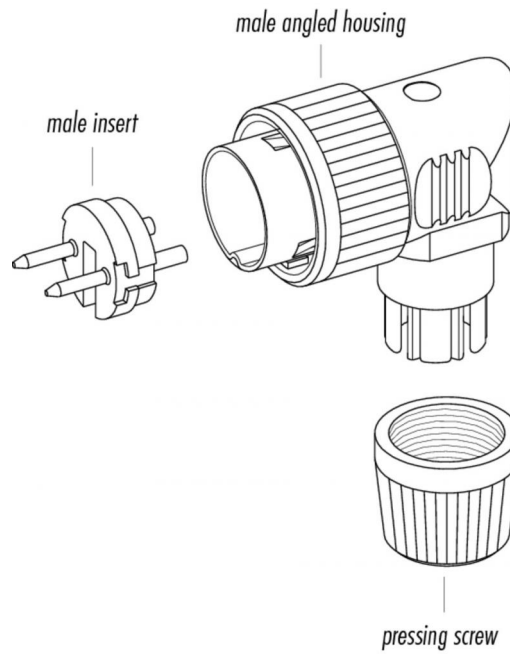
**Material**

Material of contact	CuZn (brass)
Contact plating	Au (gold)
Material of contact body	PBT (UL 94 V-0)
Material of housing	PA

Product **Contacts: 19, male angled connector, cable outlet 6 - 8 mm**

Area **Bayonet IP40 Series 678**  
Article number **99 0665 72 19**

Item description



Product **Contacts: 19, male angled connector, cable outlet 6 - 8 mm**

Area **Bayonet IP40 Series 678**  
Article number **99 0665 72 19**

## Security notices

The connectors are designed for use in plant, control system and electrical equipment. The end user is responsible for checking whether the connectors are suitable for use in other applications.