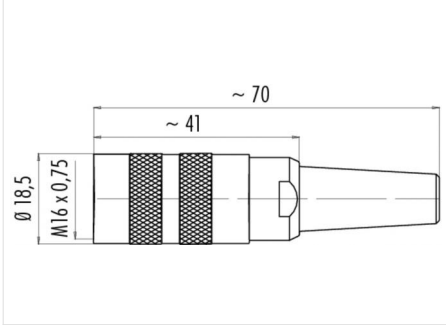


Product	<b>Contacts: 6 DIN, female cable connector with cable clamp, shieldable, cable outlet 4 - 6 mm, gold plated contacts</b>
Area	<b>M16 IP40 Series 581</b>
Article number	<b>99 2022 19 06</b>

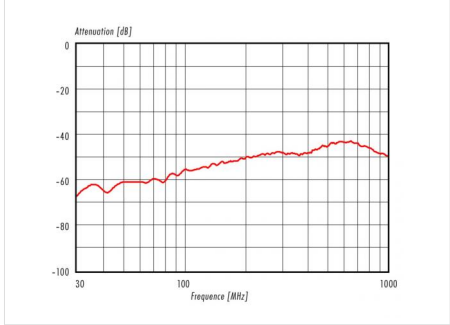
**Illustration**



**Scale drawing**



**Derating curve**



You can find the item description on the next page.

**Technical data**

**General features**

Connectorconstructie	female cable connector
Connectorvergrendeling	bolted
Aansluiting	solder
Draaddikte (mm)	0,75 mm <sup>2</sup>
Draaddikte (AWG)	20
Kabeluitgang	4,0 - 6,0 mm
Bovengrenstemperatuur	85 °C
Ondergrenstemperatuur	-40 °C

**Electrical parameters**

Nominale stroom (40 °C)	5 A
Nominale spanning	250 V
Nominale stootspanning	1500 V
Vervuilinggraad	1
Overspanningscategorie	I
Materiaalgroep	III
Volumeweerstandvermogen	≤ 3 mΩ
Insulation resistance	≥ 10 <sup>10</sup> Ω
EMC-naleving	shieldable
Beschermingsgraad	IP40
Mechanische levensduur	> 500 Mating cycles

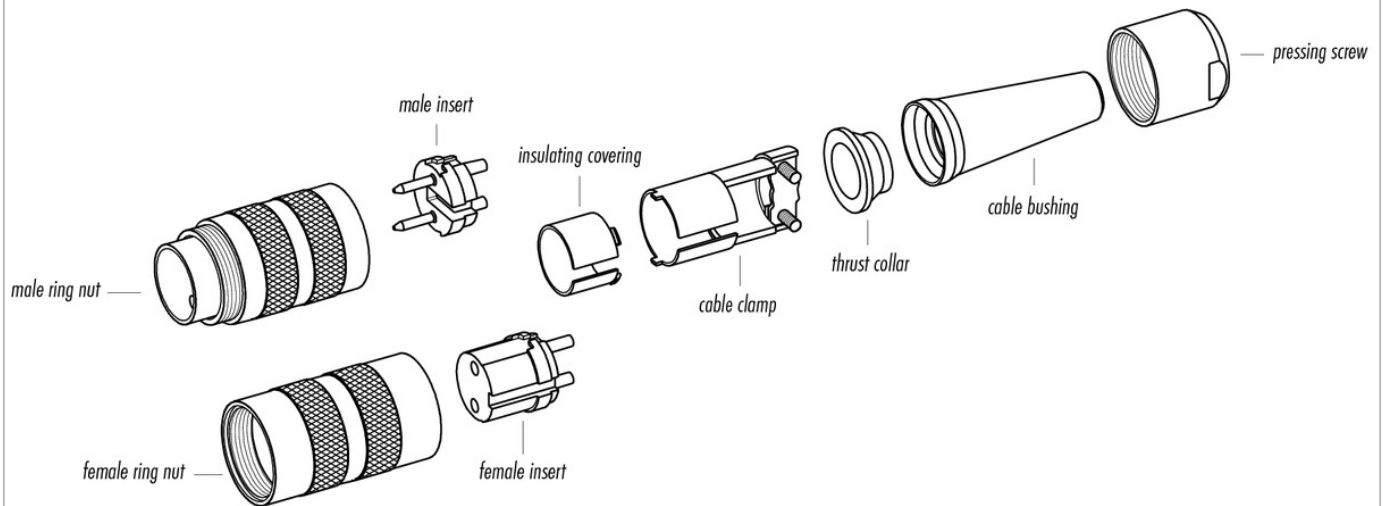
**Material**

Materiaal van het contact	CuSn (bronz)
Contactbedekking	Au (gold)
Materiaal van de contactbasis	PBT (UL 94 V-0)

Product **Contacts: 6 DIN, female cable connector with cable clamp, shieldable, cable outlet 4 - 6 mm, gold plated contacts**

Area **M16 IP40 Series 581**  
Article number **99 2022 19 06**

Item description



Product	<b>Contacts: 6 DIN, female cable connector with cable clamp, shieldable, cable outlet 4 - 6 mm, gold plated contacts</b>
Area	<b>M16 IP40 Series 581</b>
Article number	<b>99 2022 19 06</b>

## Veiligheidsinstructies

The connector must not be connected or separated under load. Non-observance and incorrect use can result in personal injury.

The connectors are designed for use in plant, control system and electrical equipment. The end user is responsible for checking whether the connectors are suitable for use in other applications.

To prevent the connector being opened unintentionally when used in electrical circuits containing hazardous life parts, the thread between the housing and the connector head must be secured using a suitable cyanoacrylate adhesive. This does not apply to connectors used in SELV and PELV circuits according to IEC 61140 (EN 61140, VDE 0140-1).

Connectors used in electrical circuits containing hazardous life parts must only be assembled and used by or under the supervision of persons with the requisite electrotechnical training, taking the applicable regulations and standards into account.

The connector is not suitable for mains voltages. Please observe the pollution degrees and the overvoltage category. For further information refer to 'Technical support' in the Download Centre.

To lock the cable connector to the equipment connector, the threaded ring is tightened until it is 'finger-tight' (approx. 50 cNm).